

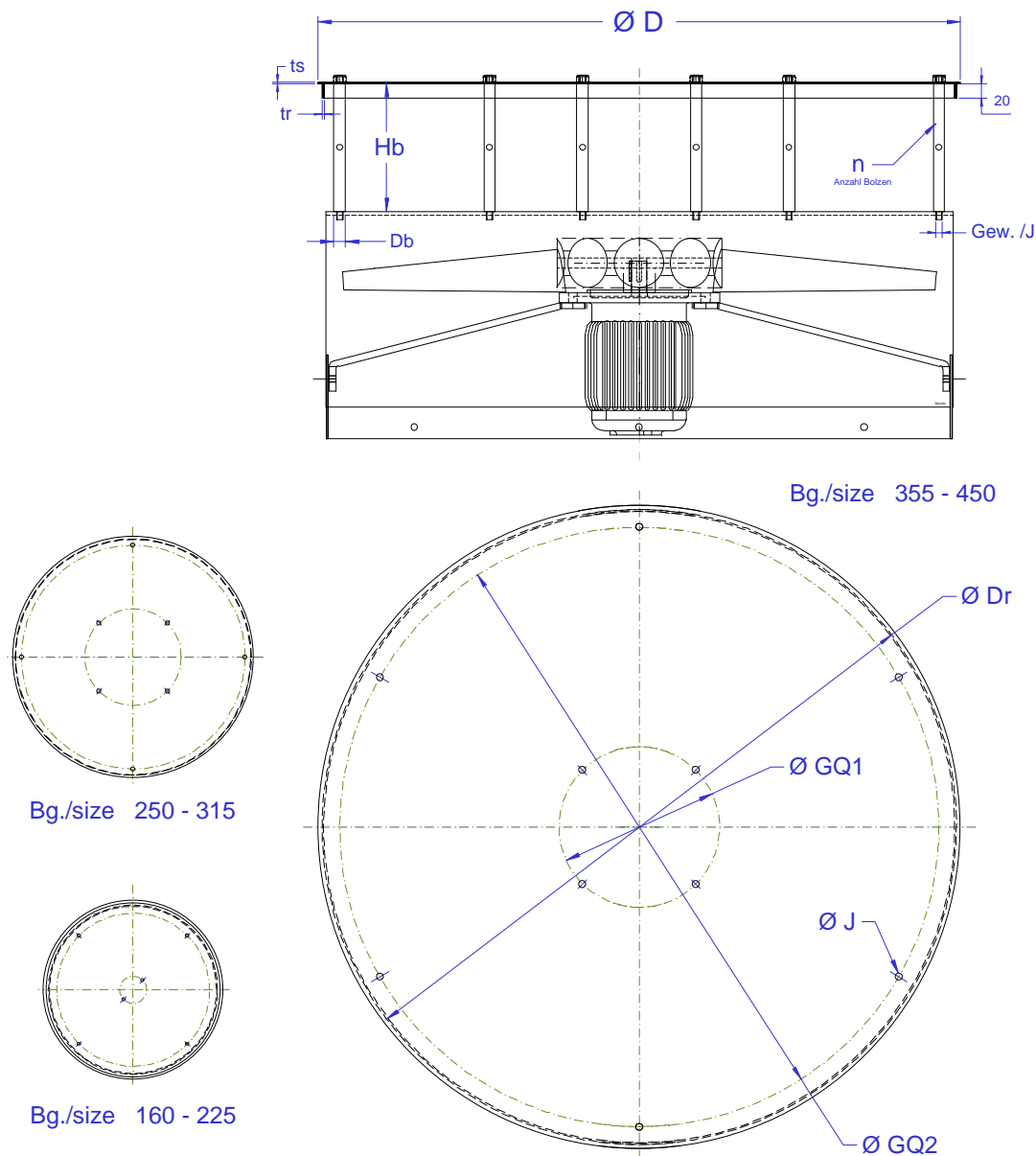
Regenschutzdach für Fremdlüfter, Mb. 1F/1G/1H kMMP

Rain cover for Forced Ventilation Units, drw. 1F/1G/1H kMMP
 tôle parapluie pour Ventilation Forcée, dessin 1F/1G/1H kMMP



Bg. 160 – 450 Z-RBK zyl.

Stand: Jan. 2014



Bg.	Art.Nr.	D	Hb	Db	n	GQ1	GQ2	Dr	J	ts	tr
size	item no.			Ø	Stck/pieces	Ø	Ø	Ø	Ø /Gew		
160	FVRSD1601F	335	55	12	6	52	294	325	6,5 /M6	2	2
180	FVRSD1801F	375	60	12	6	52	333	365	6,5 /M6	2	2
200	FVRSD2001F	410	65	12	6	52	365	400	6,5 /M6	2	2
225	FVRSD2251F	455	75	12	6	52	415	445	6,5 /M6	2	2
250	FVRSD2501F	500	85	14	8	200	464	490	9 /M8	2	2,5
280	FVRSD2801F	555	90	14	8	200	512	545	9 /M8	2	2,5
315	FVRSD3151F	620	100	14	8	200	572	610	9 /M8	2	2,5
355	FVRSD3551F	710	110	14	10	200	656	700	9 /M8	2	2,5
400	FVRSD4001F	800	120	14	10	200	746	790	9 /M8	2	2,5
425	FVRSD4251F	865	130	14	10	200	806	855	9 /M8	2	2,5
450	FVRSD4501F	910	145	14	10	200	865	900	9 /M8	2	2,5

Kurt Maier Motor-Press GmbH

Birkenweg 18 * DE - 37589 Kalefeld

☎ +49(0)5553 99 01 0 * 📠 +49(0)5553 99 01 88 * ✉ E-mail: info@kmmp.de * <http://www.kmmp.de>

